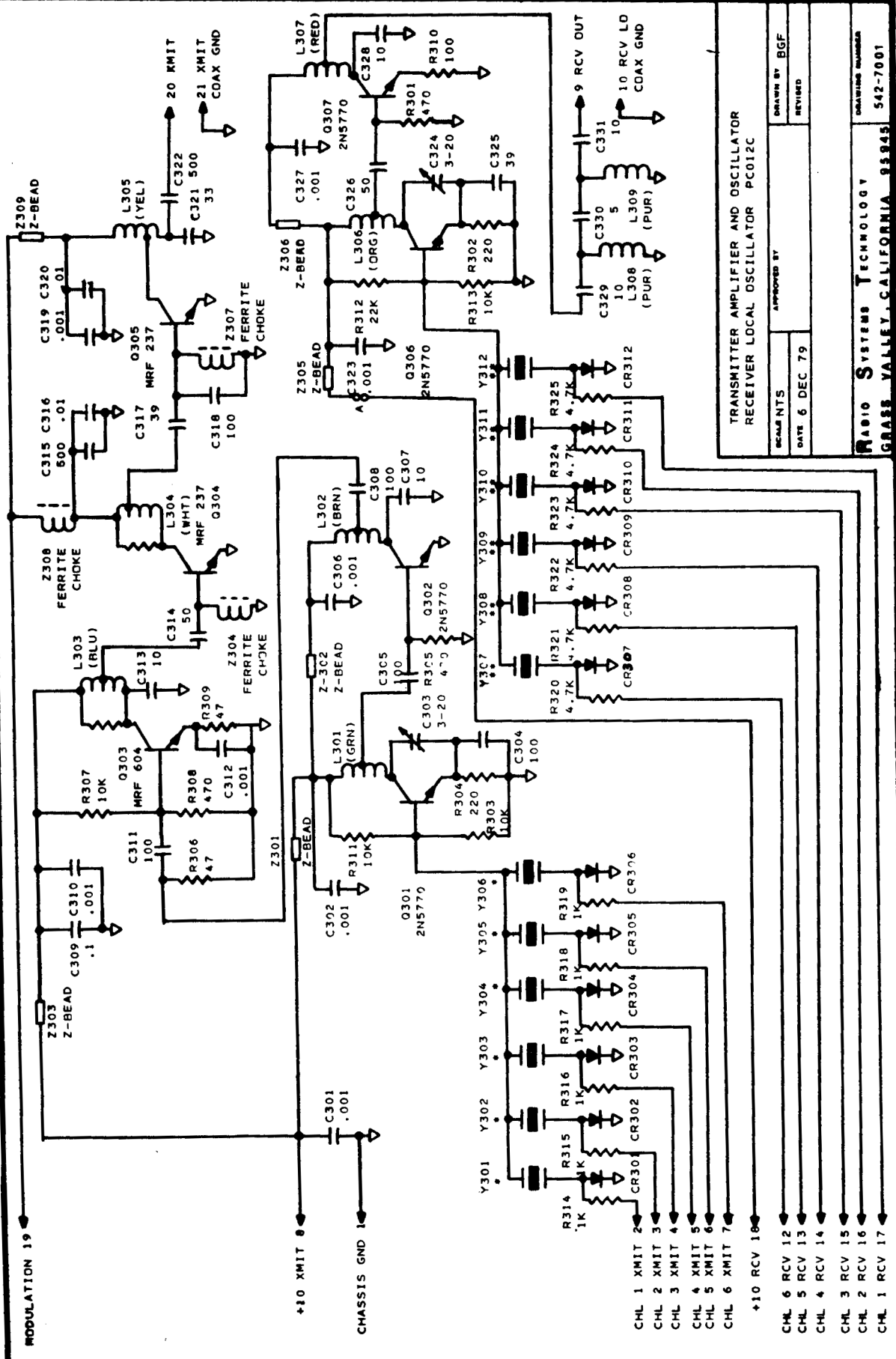


- NOTES:
1. U201 IS A 5-SECTION UA720 INTEGRATED CIRCUIT AM RECEIVER.
  2. ALL RESISTORS 1/4 WATT, 5% CARBON FILM.
  3. CAPACITORS > 1 IN PF; CAPACITORS < 1 IN UF UNLESS NOTED.
  4. LAST RES23, C231, Q204, CR203, Y202, T211, L201.
  5. Y202 CHANGED TO 34.44320 MHZ FROM 34.43825 MHZ, C231 - .5PF
  6. HREV. C228 REDRAWN CORRECTLY AS 'EMITTER', R211, R212, R213, R214, R215, R216, R217, R218, R219, R220, R221, R222, R223 FROM 50 PF, COLLECTOR OF Q203 TAPPED INSTEAD OF 'EMITTER', R224, R225, R226, R227, R228, R229, R230, R231, R232, R233, R234, R235, R236, R237, R238, R239, R240, R241, R242, R243, R244, R245, R246, R247, R248, R249, R250, R251, R252, R253, R254, R255, R256, R257, R258, R259, R260, R261, R262, R263, R264, R265, R266, R267, R268, R269, R270, R271, R272, R273, R274, R275, R276, R277, R278, R279, R280, R281, R282, R283, R284, R285, R286, R287, R288, R289, R290, R291, R292, R293, R294, R295, R296, R297, R298, R299, R300, R301, R302, R303, R304, R305, R306, R307, R308, R309, R310, R311, R312, R313, R314, R315, R316, R317, R318, R319, R320, R321, R322, R323, R324, R325, R326, R327, R328, R329, R330, R331, R332, R333, R334, R335, R336, R337, R338, R339, R340, R341, R342, R343, R344, R345, R346, R347, R348, R349, R350, R351, R352, R353, R354, R355, R356, R357, R358, R359, R360, R361, R362, R363, R364, R365, R366, R367, R368, R369, R370, R371, R372, R373, R374, R375, R376, R377, R378, R379, R380, R381, R382, R383, R384, R385, R386, R387, R388, R389, R390, R391, R392, R393, R394, R395, R396, R397, R398, R399, R400, R401, R402, R403, R404, R405, R406, R407, R408, R409, R410, R411, R412, R413, R414, R415, R416, R417, R418, R419, R420, R421, R422, R423, R424, R425, R426, R427, R428, R429, R430, R431, R432, R433, R434, R435, R436, R437, R438, R439, R440, R441, R442, R443, R444, R445, R446, R447, R448, R449, R450, R451, R452, R453, R454, R455, R456, R457, R458, R459, R460, R461, R462, R463, R464, R465, R466, R467, R468, R469, R470, R471, R472, R473, R474, R475, R476, R477, R478, R479, R480, R481, R482, R483, R484, R485, R486, R487, R488, R489, R490, R491, R492, R493, R494, R495, R496, R497, R498, R499, R500, R501, R502, R503, R504, R505, R506, R507, R508, R509, R510, R511, R512, R513, R514, R515, R516, R517, R518, R519, R520, R521, R522, R523, R524, R525, R526, R527, R528, R529, R530, R531, R532, R533, R534, R535, R536, R537, R538, R539, R540, R541, R542, R543, R544, R545, R546, R547, R548, R549, R550, R551, R552, R553, R554, R555, R556, R557, R558, R559, R560, R561, R562, R563, R564, R565, R566, R567, R568, R569, R570, R571, R572, R573, R574, R575, R576, R577, R578, R579, R580, R581, R582, R583, R584, R585, R586, R587, R588, R589, R590, R591, R592, R593, R594, R595, R596, R597, R598, R599, R600, R601, R602, R603, R604, R605, R606, R607, R608, R609, R610, R611, R612, R613, R614, R615, R616, R617, R618, R619, R620, R621, R622, R623, R624, R625, R626, R627, R628, R629, R630, R631, R632, R633, R634, R635, R636, R637, R638, R639, R640, R641, R642, R643, R644, R645, R646, R647, R648, R649, R650, R651, R652, R653, R654, R655, R656, R657, R658, R659, R660, R661, R662, R663, R664, R665, R666, R667, R668, R669, R670, R671, R672, R673, R674, R675, R676, R677, R678, R679, R680, R681, R682, R683, R684, R685, R686, R687, R688, R689, R690, R691, R692, R693, R694, R695, R696, R697, R698, R699, R700, R701, R702, R703, R704, R705, R706, R707, R708, R709, R710, R711, R712, R713, R714, R715, R716, R717, R718, R719, R720, R721, R722, R723, R724, R725, R726, R727, R728, R729, R730, R731, R732, R733, R734, R735, R736, R737, R738, R739, R740, R741, R742, R743, R744, R745, R746, R747, R748, R749, R750, R751, R752, R753, R754, R755, R756, R757, R758, R759, R760, R761, R762, R763, R764, R765, R766, R767, R768, R769, R770, R771, R772, R773, R774, R775, R776, R777, R778, R779, R780, R781, R782, R783, R784, R785, R786, R787, R788, R789, R790, R791, R792, R793, R794, R795, R796, R797, R798, R799, R800, R801, R802, R803, R804, R805, R806, R807, R808, R809, R810, R811, R812, R813, R814, R815, R816, R817, R818, R819, R820, R821, R822, R823, R824, R825, R826, R827, R828, R829, R830, R831, R832, R833, R834, R835, R836, R837, R838, R839, R840, R841, R842, R843, R844, R845, R846, R847, R848, R849, R850, R851, R852, R853, R854, R855, R856, R857, R858, R859, R860, R861, R862, R863, R864, R865, R866, R867, R868, R869, R870, R871, R872, R873, R874, R875, R876, R877, R878, R879, R880, R881, R882, R883, R884, R885, R886, R887, R888, R889, R890, R891, R892, R893, R894, R895, R896, R897, R898, R899, R900, R901, R902, R903, R904, R905, R906, R907, R908, R909, R910, R911, R912, R913, R914, R915, R916, R917, R918, R919, R920, R921, R922, R923, R924, R925, R926, R927, R928, R929, R930, R931, R932, R933, R934, R935, R936, R937, R938, R939, R940, R941, R942, R943, R944, R945, R946, R947, R948, R949, R950, R951, R952, R953, R954, R955, R956, R957, R958, R959, R960, R961, R962, R963, R964, R965, R966, R967, R968, R969, R970, R971, R972, R973, R974, R975, R976, R977, R978, R979, R980, R981, R982, R983, R984, R985, R986, R987, R988, R989, R990, R991, R992, R993, R994, R995, R996, R997, R998, R999, R1000.

PC 011H SCHEMATIC

SCALE: SCHEMATIC	APPROVED BY:
DATE: 16 FEB 80	
DRAWN BY: /EA	REVISED: 4FEB83

RADIO SYSTEMS TECHNOLOGY  
GRASS VALLEY, CALIFORNIA 95945  
DRAWING NUMBER 542-7500

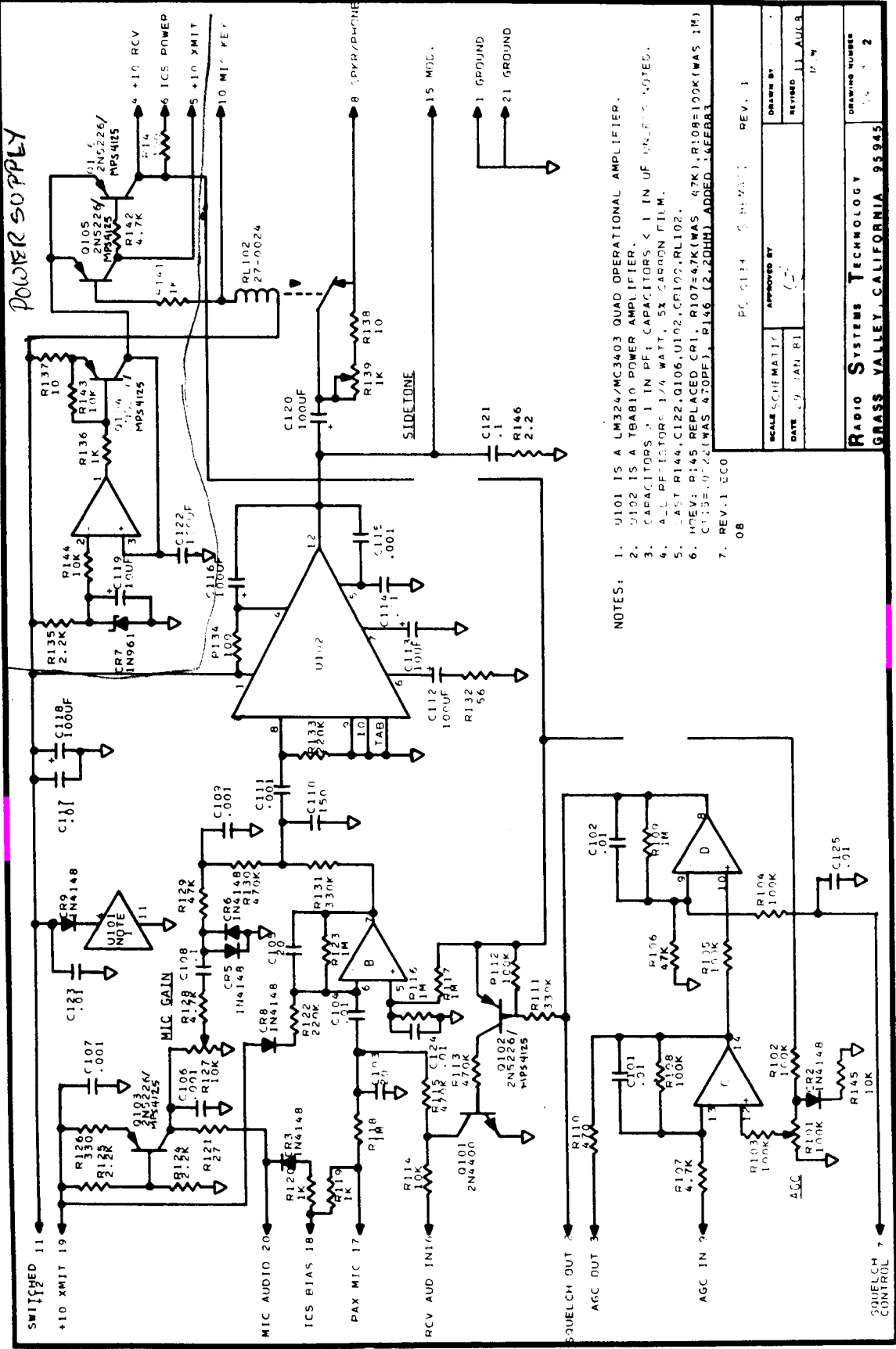


TRANSMITTER AMPLIFIER AND OSCILLATOR  
 RECEIVER LOCAL OSCILLATOR PC012C

SCALE NTS	APPROVED BY	DRAWN BY
DATE 6 DEC 79		BGF
		REVISED

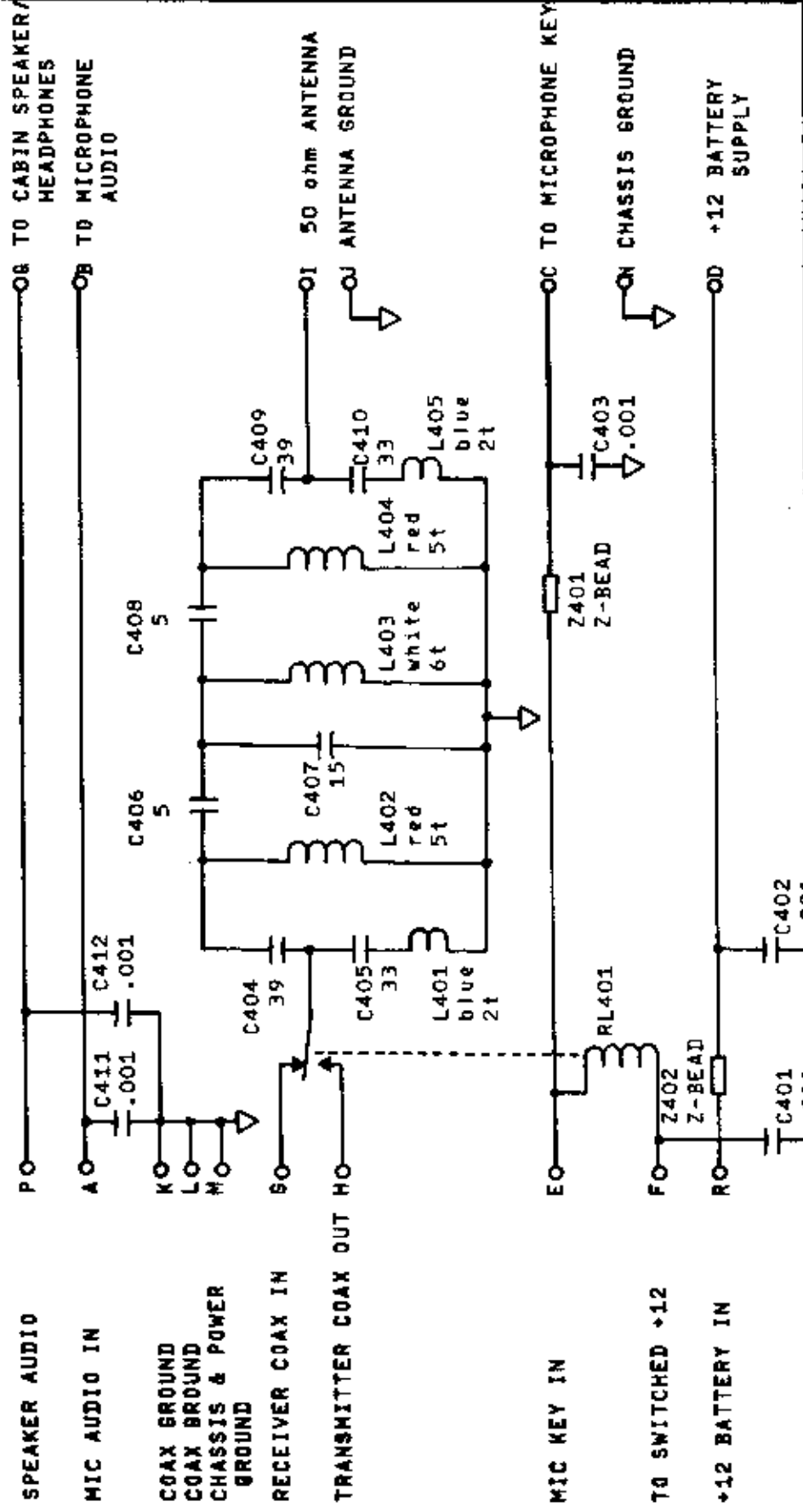
RADIO SYSTEMS TECHNOLOGY  
 GRASS VALLEY, CALIFORNIA 95945  
 542-7001

# POWER SUPPLY



- NOTES:
1. U101 IS A LM324/MC3403 QUAD OPERATIONAL AMPLIFIER.
  2. U102 IS A TB810 POWER AMPLIFIER.
  3. CAPACITORS > 1 IN P.F. CAPACITORS < 1 IN U.F. UNLESS NOTED.
  4. ALL RESISTORS 1/4 WATT, 5% CARBON FILM.
  5. LAST R144, C122, U106, U102, CR102, RL102.
  6. MPEV: R145 REPLACED CR1, R107=4.7K (WAS 47K), R108=100K (WAS 1M), C125=100PF (WAS 470PF), R143 (2.200H) ADDED (400K)
  7. REV.1 ECO

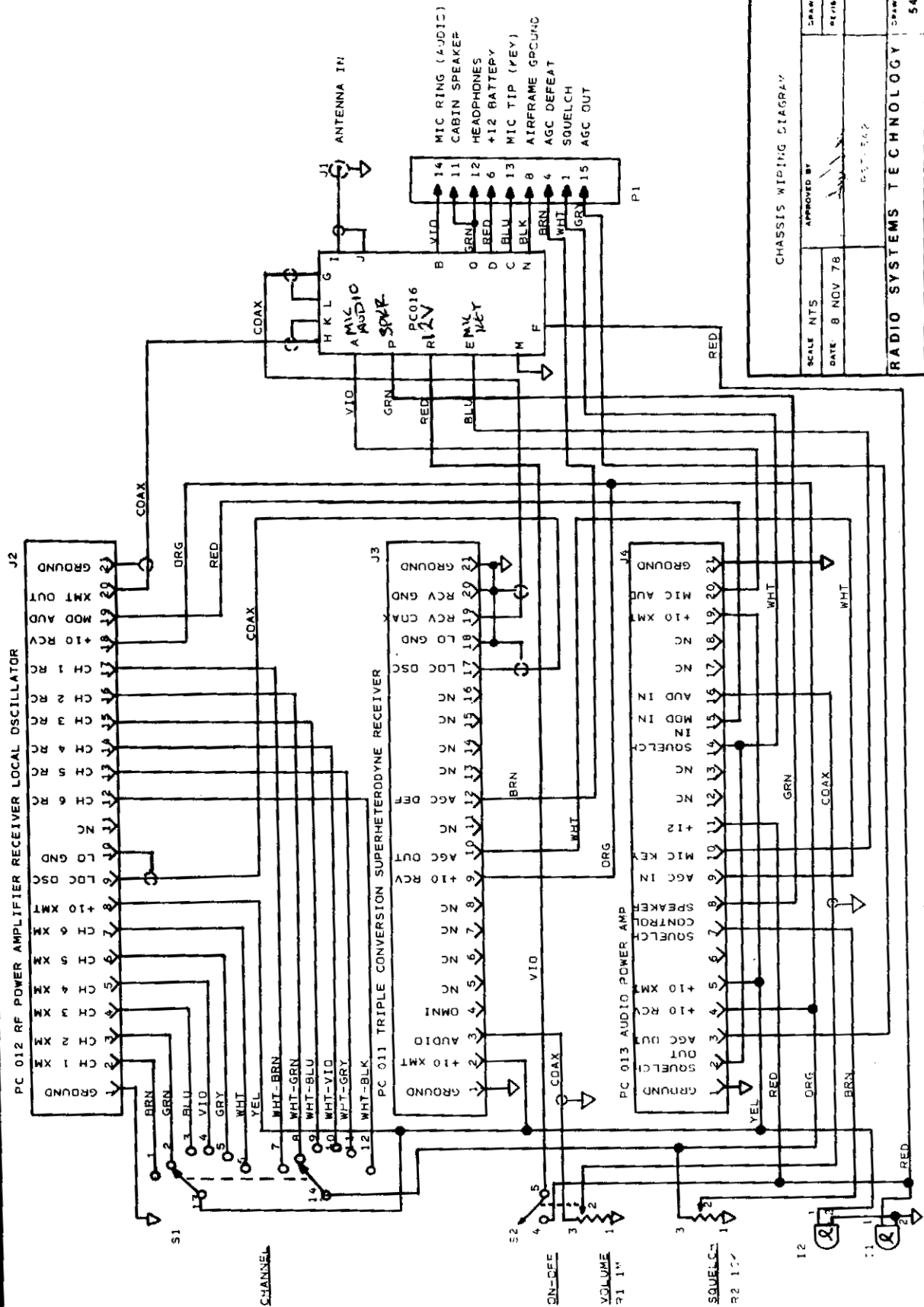
PC 6134	REV. 1
SCALE SCHEMATIC	APPROVED BY
DATE 29 JAN 81	REVIEWED J. AUB
DRAWING NUMBER	
RADIO SYSTEMS TECHNOLOGY	
GRASS VALLEY, CALIFORNIA 95945	



TRANSMIT-RECEIVE RF RELAY, BANDPASS FILTER, WIRING  
TIE POINTS AND WIRING BYPASSING.

SCALE: SCHEMATIC	APPROVED BY: <i>[Signature]</i>	DRAWN BY: OWJ
DATE: 25 APR 76		REVISED
	PC 016	6 Channel Acft Transceiver
RADIO SYSTEMS TECHNOLOGY		DRAWING NUMBER 542-7002

**NOTES:**



CHASSIS WIRING DIAGRAM

SCALE NTS

DATE 8 NOV 78

APPROVED BY

DESIGNED BY

REVISIONS: AP811P

657-342

RADIO SYSTEMS TECHNOLOGY

DRAWING NUMBER 542-7800